

4

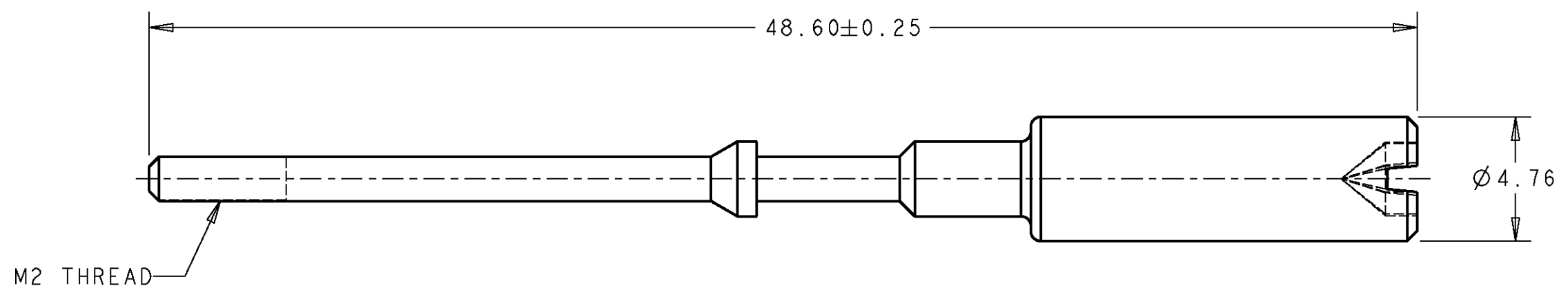
3

2

1

THIS DRAWING IS UNPUBLISHED. RELEASED FOR PUBLICATION .19 .
 © COPYRIGHT 19 BY AMP INCORPORATED. ALL RIGHTS RESERVED.

LOC	DIST	REVISIONS					
AR	84	P	LTR	DESCRIPTION	DATE	DWN	APVD
				0 RELEASED PER NPR 5567	5 Aug 96	KF	MR



- ① STAINLESS STEEL; POLYESTER, PBT.
- ② PASSIVATED PER ASTM A 380.

787874-1
 PART NUMBER

<small>THIS DRAWING IS A CONTROLLED DOCUMENT FOR AMP INCORPORATED. IT IS SUBJECT TO CHANGE AND THE CONTROLLING ENGINEERING ORGANIZATION SHOULD BE CONTACTED FOR THE LATEST REVISION.</small>		DWN K.FOLTZ 5-Aug-96 CHK M.RUPERT 6-Aug-96 APVD M.RUPERT 6-Aug-96	AMP AMP Incorporated Harrisburg, PA 17105-3608
DIMENSIONS: mm	TOLERANCES UNLESS OTHERWISE SPECIFIED: 0 PLC ±- 1 PLC ±- 2 PLC ±0.01 3 PLC ±- 4 PLC ±- ANGLES ±-	PRODUCT SPEC 108-1471 APPLICATION SPEC - WEIGHT -	NAME JACKSCREW, OVERMOLD, OFFSET CABLE PLUG, CHAMP 0.8mm SIZE A3 CAGE CODE 00779 DRAWING NO ©=787874
MATERIAL ①	FINISH ②	CUSTOMER DRAWING	SCALE 5:1 SHEET 1 OF 1 REV 0